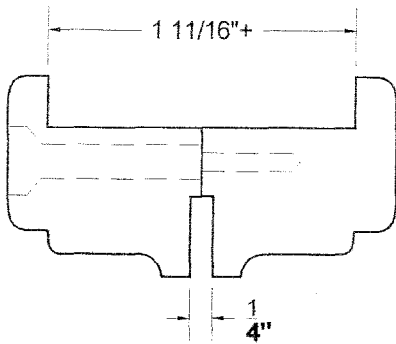
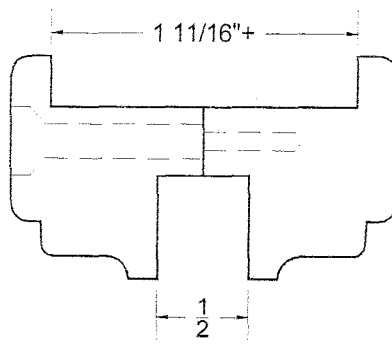


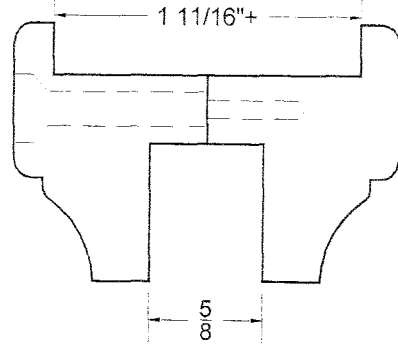
DOORLITE PROFILES



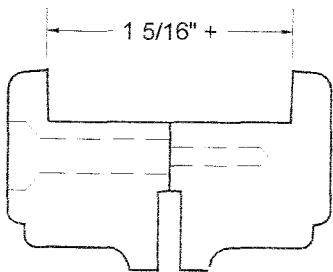
1 3/4" DOORLITE MLDG



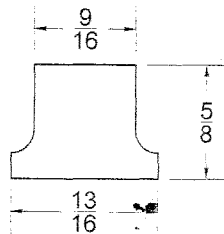
1 3/4" DOORLITE MLDG
STANDARD INSULATED



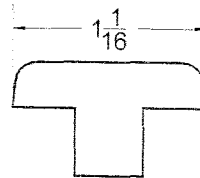
1 3/4" SPECIAL INSULATED
5/8" TO 1" GLASS THICKNESS



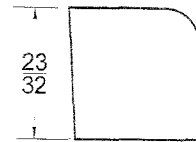
1 3/8" DOORLITE MLDG



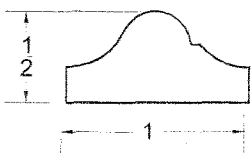
STANDARD DOORLITE
MULLION



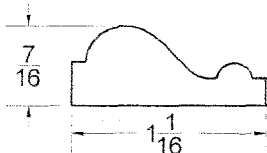
LOUVER MULLION



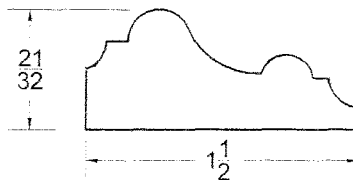
FLUSH DOORLITE
MOULDING #300



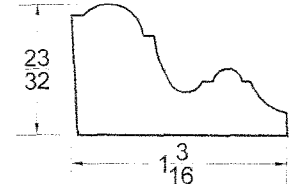
PLANT MLDG #202



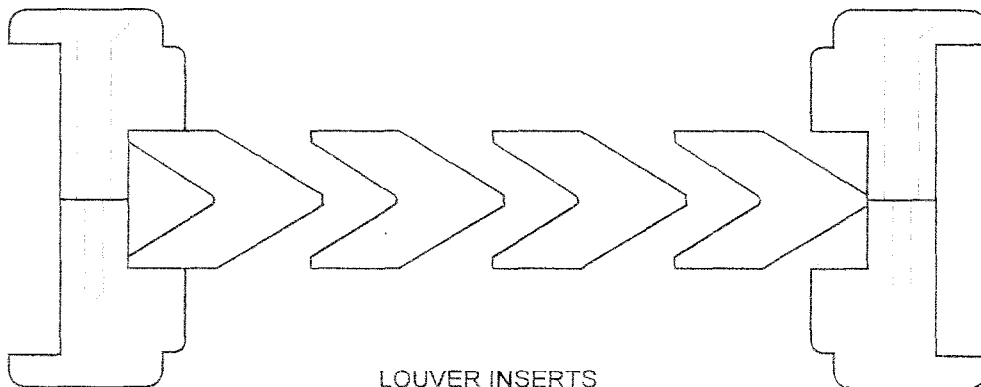
PLANT MLDG #203



PLANT MLDG #204



FLUSH MLDG #310



LOUVER INSERTS